

Compact Sandwich Prep Tables with Drawers/Self-Contained



Model KUST279-D
(shown with optional casters)



Stainless Exterior,
Anodized Aluminum
Interior

27", 32", 60" & 72" Wide Models

27" Wide Two Drawer Model	KUST276-D
27" Wide Two Drawer Model	KUST279-D
32" Wide Two Drawer Model	KUST328-D
32" Wide Two Drawer Model	KUST3212-D
60" Wide Four Drawer Model	KUST6012-DD
60" Wide Four Drawer Model	KUST6024-DD
72" Wide Four Drawer Model	KUST7212-DD
72" Wide Four Drawer Model	KUST7218-DD
72" Wide Four Drawer Model	KUST7224-DD
72" Wide Four Drawer Model	KUST7230-DD

Kairak's durable, high performance, sandwich prep tables provide a high quality/high value alternative to the all too common commodity types in today's market.

Any comparison between prep tables should start with performance, and Kairak really does the job. Not only do they all meet the NSF 7 Standard, but do so under real world conditions, even when using 6" deep top pans! A Kairak exclusive.

Truly front breathing, their design allows for "zero-clearance" installation. As a result they can be placed right up against the backwall and alongside other kitchen equipment, saving valuable floor space.

Standard Product Features

- High Quality Stainless Steel Exterior Top, Sides & Drawer(s)
- Durable, Corrosion Resistant Anodized Aluminum Interior
- Provides NSF Standard 7 Performance, Even When Using 6" Deep Top Pans - A Kairak Exclusive
- Front Breathing Self-Contained Refrigeration System
- Standard Work Height 36-1/4" (see "optional accessory kits for lower height casters to meet ADA requirements or provide lower work heights).
- Environmentally Friendly R-134a Refrigerant
- Top Cut-Outs Accommodate Sixth Size Pans (divider bars and 4" deep plastic sixth size pans provided)
- Reinforced Top Pan Ledge (holds pans securely level, year after year)
- Stainless Steel Insulated Top Pan Lid with Two Open Positions
- Reversible, Full Length White Nylon Cutting Board
- Automatic Non-Electric Condensate Evaporator
- Full-Length Drawer Handle with Gasket Guard
- Magnetic Snap-In Drawer Gaskets
- Self-Closing Drawers with Stay Open Feature
- 16-Gauge Stainless Steel Drawer with Slide
- Interior Mounted Thermometer
- 8' Cord & Plug Attached
- Set of Four (4) 6" High Adjustable Legs (6 for 60" & 72" models)
- Three Year Parts And Labor Warranty
- Five Year Compressor Warranty

Optional Accessory Kits*

- **CASTER 5SET4** (four 6" high casters for 27" & 32" models)
- **CASTER 5SET6** (six 6" high casters for 60" & 72" models)
- **CASTER SET4IN** (four 4" high casters for 27" & 32" models)
- **CASTER 60SET3** (six 4" high casters for 60" & 72" models)
- **CASTER SET3IN** (four 3-1/2" high casters for 27" & 32" models)
- **CASTER SET4** (six 3-1/2" high casters for 60" & 72" models)
- **CASTER SET2IN** (four 2-1/2" high casters for 27" models)

*All optional accessory kits are shipped separately for field installation.

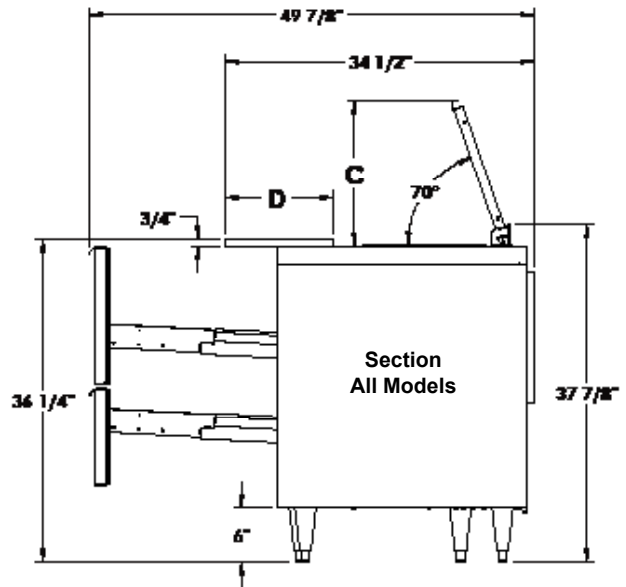
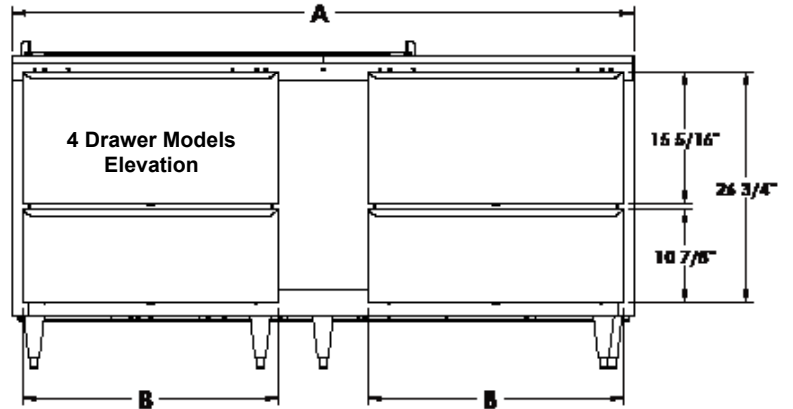
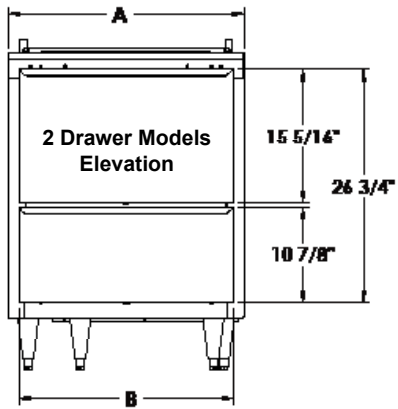
Factory Installed Options

- Stainless Steel Finished Back



Listed by Underwriters Laboratories Inc., to U.S. and Canadian safety standards and NSF International in accordance with ANSI/NSF7.

Approval: _____



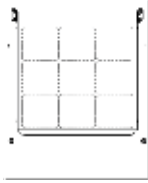
Cabinet Dimensional Data

Model	# Of 1/6 size pans top	# Of 1/6 size pans per drawer	# of drawers per cabinet	A Width - cabinet	B Width - drawer	C Height - Lid Open at 70 Degrees	D Depth-Cutting Board
KUST276-D	6	6	2	27"	24 5/8"	16 1/4"	12"
KUST279-D	9	6	2	27"	24 5/8"	22 3/16"	8"
KUST328-D	8	8	2	32"	29 5/8"	17 1/2"	12"
KUST3212-D	12	8	2	32"	29 5/8"	23 5/8"	8"
KUST6012-DD	12	9 top & 6 bottom	4	60"	24 5/8"	16 1/4"	12"
KUST6024-DD	24	9 top & 6 bottom	4	60"	24 5/8"	23 3/4"	8"
KUST7212-DD	12	8	4	72"	29 5/8"	16 1/4"	12"
KUST7218-DD	18	8	4	72"	29 5/8"	23 3/4"	8"
KUST7224-DD	24	8	4	72"	29 5/8"	23 3/4"	8"
KUST7230-DD	30	8	4	72"	29 5/8"	23 3/4"	8"

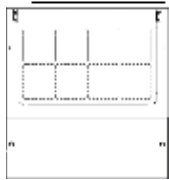
Top Pan Configuration



KUST276 Model



KUST279 Model



KUST328 Model



KUST3212 Model

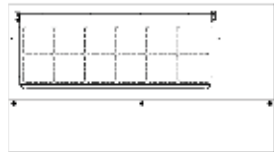
Drawer Pan Configuration

27" Drawer

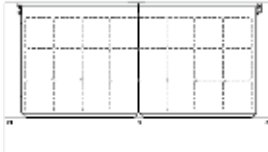
32" & 72" Drawer

60" Top Drawer

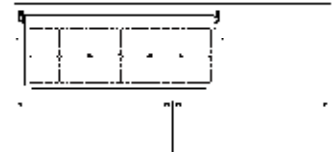
60" Bottom Drawer



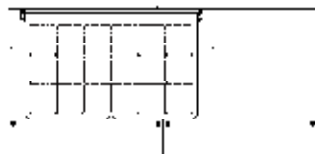
KUST6012 Model



KUST6024 Model



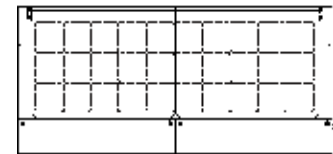
KUST7212 Model



KUST7218 Model



KUST7224 Model



KUST7230 Model

Specifications

Construction, Hardware and Insulation

Cabinet exterior front, one piece sides, pan lid, and drawers are constructed of 22 gauge stainless steel. Cabinet interior is constructed of anodized aluminum. The exterior cabinet back and bottom are constructed of galvanized steel.

The cabinet is insulated with an average of 2" thick high density, non-CFC, foamed in place polyurethane.

A 3/4" thick, full-length, reversible white nylon cutting board is supplied standard.

Top Pans & Cover

Each model is supplied standard with its full compliment of 4" deep plastic 1/6 size pans and stainless steel pan dividers. The insulated lift-up pan cover is constructed of stainless steel, and is easily removable for cleaning.

Refrigeration System

A balanced, rear mounted, front breathing, self-contained refrigeration system using R-134a refrigerant is provided. It features a capillary tube metering device, air-cooled hermetic compressor, a forced air evaporator coil and a non-electric condensate evaporator. An 8' cord and plug is provided. Standard operating temperature of the refrigerated base is 34 to 38°F.

Drawers

They are constructed using 16 gauge stainless steel drawer slides and 1-5/16" diameter stainless steel rollers. Drawers include both a self-closing and stay-open feature.

Warranties

Both a three year parts and labor warranty and a five year compressor warranty (self-contained models only) are provided standard.

Electrical & Refrigeration Data 115/60/1 R-134a NEMA 5-15P			Shipping Data (42"D x 41"H)		
Model	Full Load Amps	BTU/HR - HP	Width - crated	Volume - crated cu. ft.	Weight - lbs.
KUST276-D	4.7	1020 (1/5 HP)	45"	45	386 net/425 gross
KUST279-D	4.7	1020 (1/5 HP)	45"	45	386 net/425 gross
KUST328-D	6.2	1020 (1/5 HP)	45"	45	255 net/300 gross
KUST3212-D	6.2	1020 (1/5 HP)	45"	45	255 net/300 gross
KUST6012-DD	5.5	1600 (1/4 HP)	69"	69	457 net/500 gross
KUST6024-DD	5.5	1600 (1/4 HP)	69"	69	457 net/500 gross
KUST7212-DD	6.3	1600 (1/4 HP)	84"	84	560 net/600 gross
KUST7218-DD	6.3	1600 (1/4 HP)	84"	84	560 net/600 gross
KUST7224-DD	6.3	1600 (1/4 HP)	84"	84	560 net/600 gross
KUST7230-DD	6.3	1600 (1/4 HP)	84"	84	560 net/600 gross

NOTES:

- Overall depth figure includes standard cutting board.
- Height shown when mounted on 6" high legs or casters.
- Based on a 90 degree F ambient and 20 degree F evaporator.
- When ordering please specify: Voltage, Optional accessories and any additional warranties.
- Continued product development may necessitate specification changes without notice.