

Compact Sandwich Prep Tables Raised Cover with Drawers/Self-Contained



Model KUPT6012-DD
(shown with optional casters)



Stainless Exterior,
Anodized Aluminum
Interior

27", 32", 60" & 72" Wide Models

27" Wide Two Drawer Model
27" Wide Two Drawer Model
32" Wide Two Drawer Model
32" Wide Two Drawer Model
60" Wide Four Drawer Model
60" Wide Four Drawer Model
72" Wide Four Drawer Model
72" Wide Four Drawer Model
72" Wide Four Drawer Model
72" Wide Four Drawer Model

KUPT276-D
KUPT279-D
KUPT328-D
KUPT3212-D
KUPT6012-DD
KUPT6024-DD
KUPT7212-DD
KUPT7218-DD
KUPT7224-DD
KUPT7230-DD

Kairak's durable, high performance, sandwich prep tables provide a high quality/high value alternative to the all too common commodity types in today's market.

Any comparison between prep tables should start with performance, and Kairak really does the job. Not only do they all meet the NSF 7 Standard, but do so under real world conditions, even when using 6" deep top pans! A Kairak exclusive.

Truly front breathing, their design allows for "zero-clearance" installation. As a result they can be placed right up against the backwall and alongside other kitchen equipment, saving valuable floor space.

Standard Product Features

- High Quality Stainless Steel Exterior Top, Sides & Drawer(s)
- Durable, Corrosion Resistant Anodized Aluminum Interior
- Provides NSF Standard 7 Performance, Even When Using 6" Deep Top Pans - A Kairak Exclusive
- Front Breathing Self-Contained Refrigeration System
- Standard Work Height 36-1/4" (see "optional accessory kits for lower height casters to meet ADA requirements or provide lower work heights)
- Environmentally Friendly R-134a Refrigerant
- Top Cut-Outs Accommodate Sixth Size Pans (divider bars and 4" deep plastic sixth size pans provided)
- Reinforced Top Pan Ledge (holds pans securely level)
- Removable Stainless Steel Insulated Top Pan Cover & Pivoting Front Lid
- Reversible, Full Length White Nylon Cutting Board
- Interior Mounted Thermometer
- Automatic Non-Electric Condensate Evaporator
- Full-Length Drawer Handle with Gasket Guard
- Magnetic Snap-In Drawer Gaskets
- Self-Closing Drawers with Stay Open Feature
- 8' Cord & Plug Attached
- Set of Four (4) 6" High Adjustable Legs (6 for 60" & 72" models)
- Three Year Parts And Labor Warranty
- Five Year Compressor Warranty

Optional Accessory Kits*

- **CASTER 5SET4** (four 6" high casters for 27" & 32" models)
- **CASTER 5SET6** (six 6" high casters for 60" & 72" models)
- **CASTER SET4IN** (four 4" high casters for 27" & 32" models)
- **CASTER 60SET3** (six 4" high casters for 60" & 72" models)
- **CASTER SET3IN** (four 3-1/2" high casters for 27" & 32" models)
- **CASTER SET4** (six 3-1/2" high casters for 60" & 72" models)
- **CASTER SET2IN** (four 2-1/2" high casters for 27" models)

*All optional accessory kits are shipped separately for field installation.

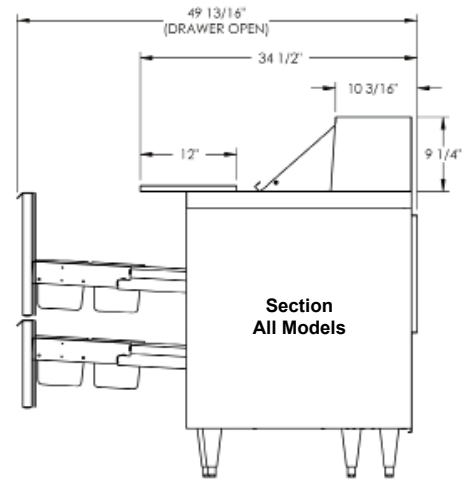
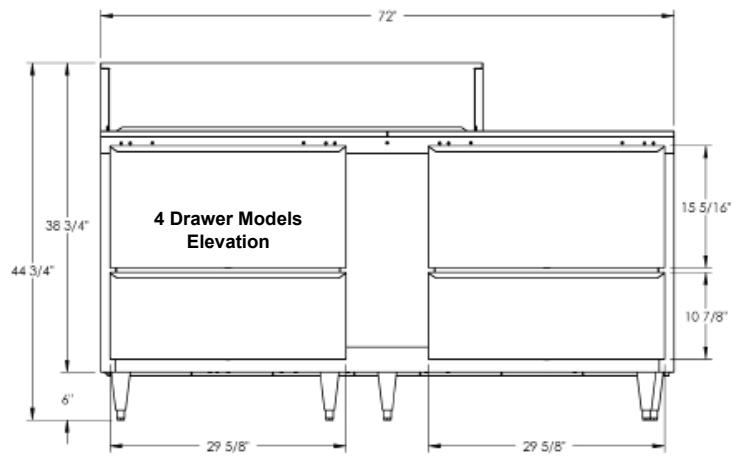
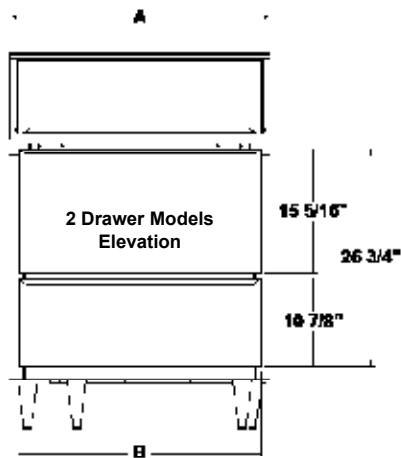
Factory Installed Options

- Stainless Steel Finished Back



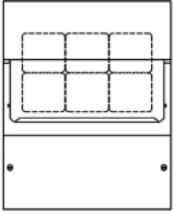
Listed by Underwriters Laboratories Inc., to U.S. and Canadian safety standards and NSF International in accordance with ANSI/NSF7.

Approval: _____

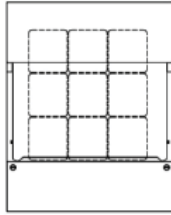


Cabinet Dimensional Data									
Model	# Of 1/6 size pans top	# Of 1/6 size pans per drawer	# of drawers per cabinet	A Width - cabinet	B Width - drawer	C Height - Overall (mounted on 6" legs or casters)	D Depth-Cutting Board	E Depth-Lid Top	F Width-Pan Cover Lid
KUPT276-D	6	6	2	27"	24 5/8"	44 3/4"	12"	9 3/8"	27"
KUPT279-D	9	6	2	27"	24 5/8"	46"	8"	9 5/8"	27"
KUPT328-D	8	8	2	32"	29 5/8"	44 3/4"	12"	9 3/8"	32"
KUPT3212-D	12	8	2	32"	29 5/8"	46"	8"	9 5/8"	32"
KUPT6012-DD	12	9 top & 6 bottom	4	60"	24 5/8"	44 3/4"	12"	9 3/8"	48"
KUPT6024-DD	24	9 top & 6 bottom	4	60"	24 5/8"	46"	8"	9 5/8"	60"
KUPT7212-DD	12	8	4	72"	29 5/8"	44 3/4"	12"	9 3/8"	48"
KUPT7218-DD	18	8	4	72"	29 5/8"	46"	8"	9 5/8"	48"
KUPT7224-DD	24	8	4	72"	29 5/8"	46"	8"	9 5/8"	60"
KUPT7230-DD	30	8	4	72"	29 5/8"	46"	8"	9 5/8"	72"

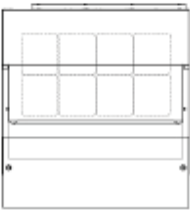
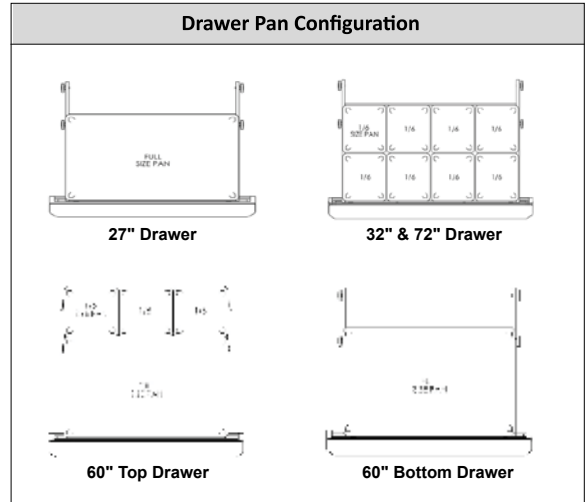
Top Pan Configuration



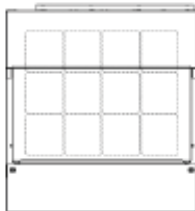
KUPT276-D Model



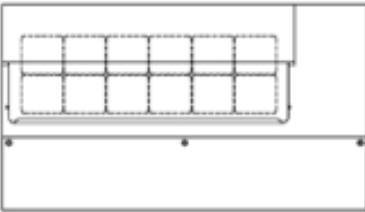
KUPT279-D Model



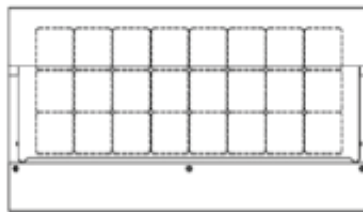
KUPT328-D Model



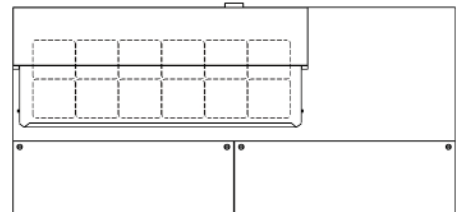
KUPT3212-D Model



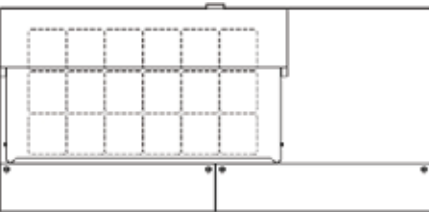
KUPT6012-DD Model



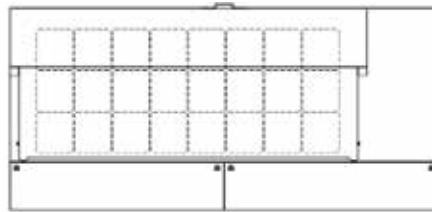
KUPT6024-DD Model



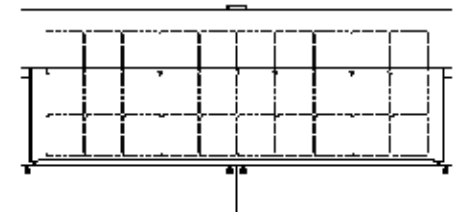
KUPT7212-DD Model



KUPT7218-DD Model



KUPT7224-DD Model



KUPT7230-DD Model

Specifications

Construction, Hardware and Insulation

Cabinet exterior front, sides, pan cover, lid and drawers are constructed of stainless steel. Cabinet interior and drawer liners are constructed of anodized aluminum. The exterior cabinet back and bottom are constructed of galvanized steel.

Both the cabinet and doors are insulated with an average of 2" thick high density, non-CFC, foamed in place polyurethane.

A 3/4" thick, full-length, reversible white nylon cutting board is supplied standard.

Top Pans & Cover

Each model is supplied standard with its full compliment of 4" deep plastic 1/6 size pans and stainless steel pan dividers. The pan cover and lid are constructed of stainless steel, and is easily removable for cleaning.

Refrigeration System

A balanced, rear mounted, front breathing, self-contained refrigeration system using R-134a refrigerant is provided. It features a capillary tube metering device, air-cooled hermetic compressor, a forced air evaporator coil and a non-electric condensate evaporator. An 8' cord and plug is provided. Standard operating temperature of the refrigerated base is 34 to 38°F.

Drawers

They are constructed using 16 gauge stainless steel drawer slides and 1.25" diameter stainless steel rollers. Drawers include both a self-closing and stay-open feature.

Warranties

Both a three year parts and labor warranty and a five year compressor warranty (self-contained models only) are provided standard.

Electrical & Refrigeration Data 115/60/1 R-134a NEMA 5-15P			Shipping Data (42"D x 41"H)		
Model	Full Load Amps	BTU/HR - HP	Width - crated	Volume - crated cu. ft.	Weight - lbs.
KUPT276-D	4.7	1020 (1/5 HP)	45"	45	386 net/425 gross
KUPT279-D	4.7	1020 (1/5 HP)	45"	45	386 net/425 gross
KUPT328-D	6.2	1020 (1/5 HP)	45"	45	265 net/300 gross
KUPT3212-D	6.2	1020 (1/5 HP)	45"	45	265 net/300 gross
KUPT6012-DD	5.5	1600 (1/4 HP)	69"	69	467 net/500 gross
KUPT6024-DD	5.5	1600 (1/4 HP)	69"	69	467 net/500 gross
KUPT7212-DD	6.3	1600 (1/4 HP)	84"	84	560 net/600 gross
KUPT7218-DD	6.3	1600 (1/4 HP)	84"	84	560 net/600 gross
KUPT7224-DD	6.3	1600 (1/4 HP)	84"	84	560 net/600 gross
KUPT7230-DD	6.3	1600 (1/4 HP)	84"	84	560 net/600 gross

NOTES:

- Overall depth figure includes standard cutting board.
- Height shown when mounted on 6" high legs or casters.
- Based on a 90 degree F ambient and 20 degree F evaporator.
- When ordering please specify: Voltage, Hinging, Optional Accessories and any additional warranties.
- Continued product development may necessitate specification changes without notice.